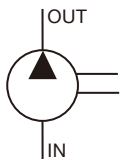


DVQ



SYMBOLS



ORDER CODES

DVQ20 - 26 - F - R - A A - 01

1
2
3
4
5
6
7

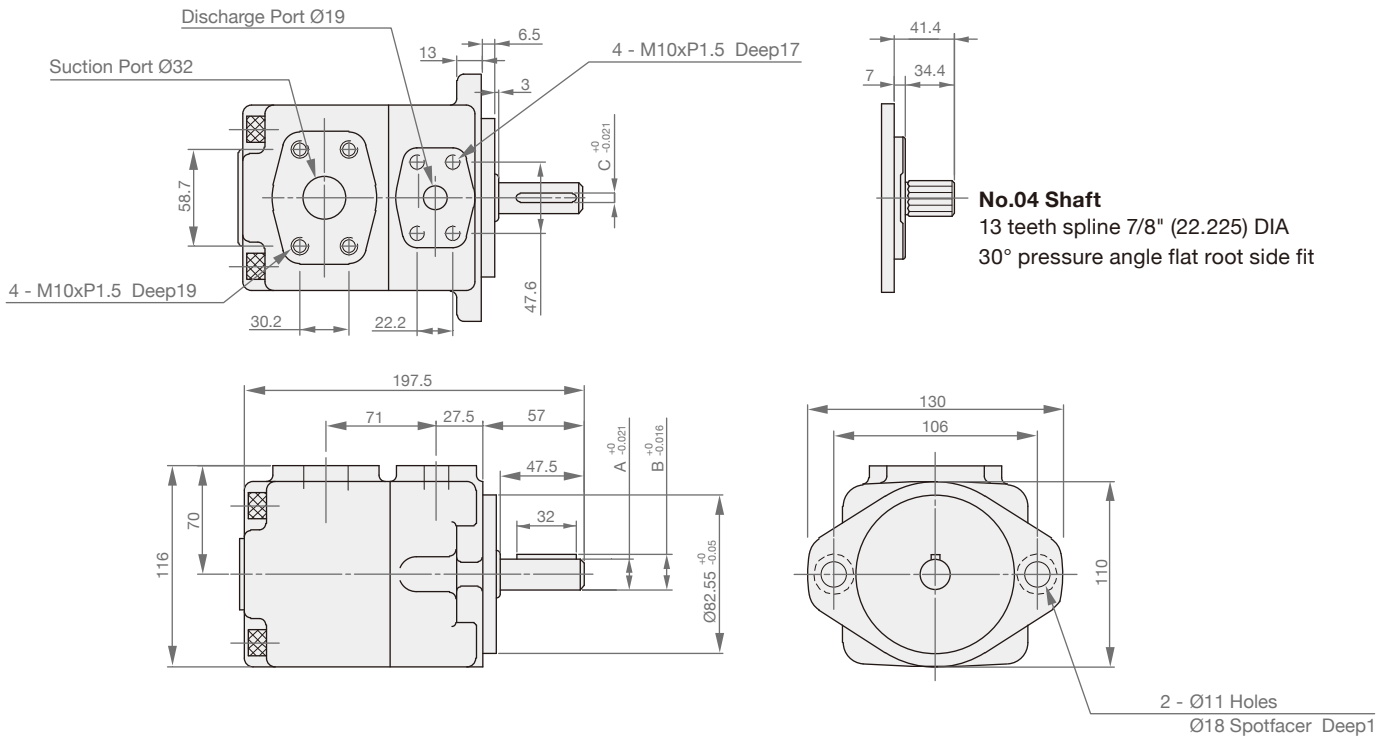
1	▶ Model Name	DVQ20, DVQ25	
2	▶ Displacement	(DVQ20) 6, 8, 11, 14, 17, 19, 23, 26, 32, 34, 38, 44 (DVQ25) 18, 22, 26, 32, 38, 43, 47, 52, 60, 65, 75	
3	▶ Mounting Type	F	flange type
		L	foot type
4	▶ Rotation Direction	R	clockwise
		L	counter - clockwise
5	▶ Discharge Position	A	upward (normal)
		B	downward
		R	on right hand
		L	on left hand
6	▶ Suction Position	A	upward (normal)
		B	downward
		R	on right hand
		L	on left hand
7	▶ Shaft Type	01	normal

MODEL SPEC.

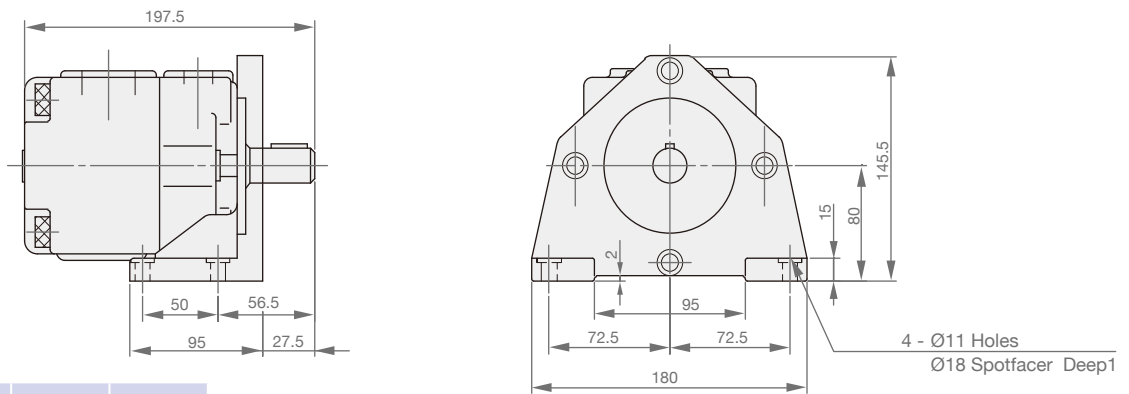
Model	Deliver Flow at No-load Pressure (l/min)				Speed (r.p.m.)		Max. Pressure (kgf/cm ²)		Weight (kg)	
	Speed (r.p.m.)									
	1000	1200	1500	1800	Max.	Min.	Cont.	Peak.	Flange Type	Foot Type
DVQ20-06	6.2	7.4	9.3	11.2	1800	800	210	260	12.5	15
DVQ20-08	8.1	9.7	12.1	14.6	1800	800	210	260		
DVQ20-11	11.2	13.4	13.4	20.1	1800	800	210	260		
DVQ20-14	14.3	17.1	21.5	25.7	1800	800	210	260		
DVQ20-17	17.1	20.5	25.6	30.7	1800	800	210	260		
DVQ20-19	19.2	23.0	28.8	34.5	1800	800	210	260		
DVQ20-23	23.3	27.9	34.9	41.9	1800	800	210	260		
DVQ20-26	26.1	31.3	39.1	46.9	1800	800	210	260		
DVQ20-32	32.1	38.3	47.6	-	1500	800	175	240		
DVQ20-34	34.1	40.8	50.4	-	1500	800	175	240		
DVQ20-38	38.1	45.9	-	-	1200	800	175	240		
DVQ20-44	44.1	52.9	-	-	1200	800	175	210		

Model	Deliver Flow at No-load Pressure (l/min)				Speed (r.p.m.)		Max. Pressure (kgf/cm ²)		Weight (kg)	
	Speed (r.p.m.)									
	1000	1200	1500	1800	Max.	Min.	Cont.	Peak.	Flange Type	Foot Type
DVQ25-18	18.1	21.7	27.2	32.6	1800	800	210	260	18	23
DVQ25-22	22.1	26.5	33.3	39.8	1800	800	210	260		
DVQ25-26	26.2	31.4	39.3	47.1	1800	800	210	260		
DVQ25-32	32.1	38.5	48.1	57.7	1800	800	210	260		
DVQ25-38	38.2	45.8	57.3	68.7	1800	800	210	260		
DVQ25-43	43.2	51.8	64.8	77.7	1800	800	210	260		
DVQ25-47	47.1	56.5	70.0	85.0	1800	800	210	260		
DVQ25-52	52.3	62.7	78.4	94.1	1800	800	210	260		
DVQ25-60	60.2	72.7	90.3	108.3	1800	800	210	260		
DVQ25-65	65.3	78.3	97.9	117.5	1800	800	210	230		
DVQ25-75	75.0	90.0	112.5	-	1500	800	210	230		

► DVQ-20 (Flange Type)

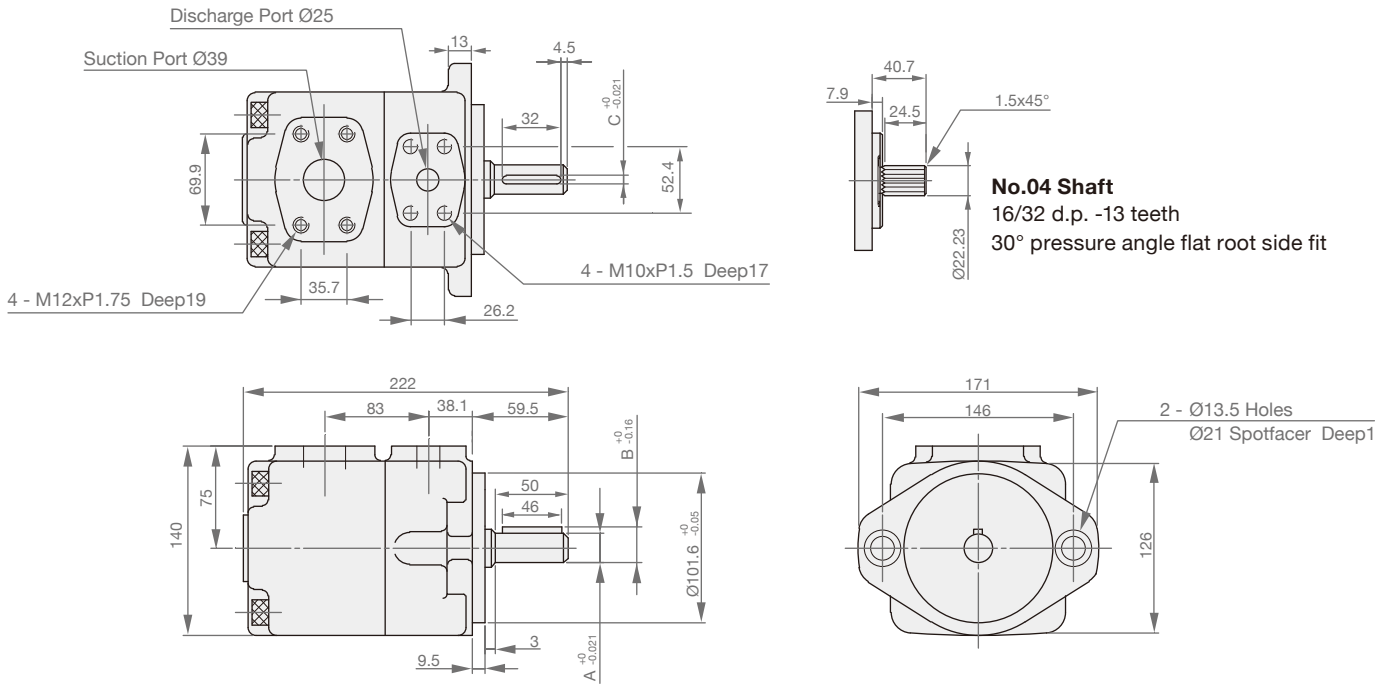


► DVQ-20 (Foot Type)

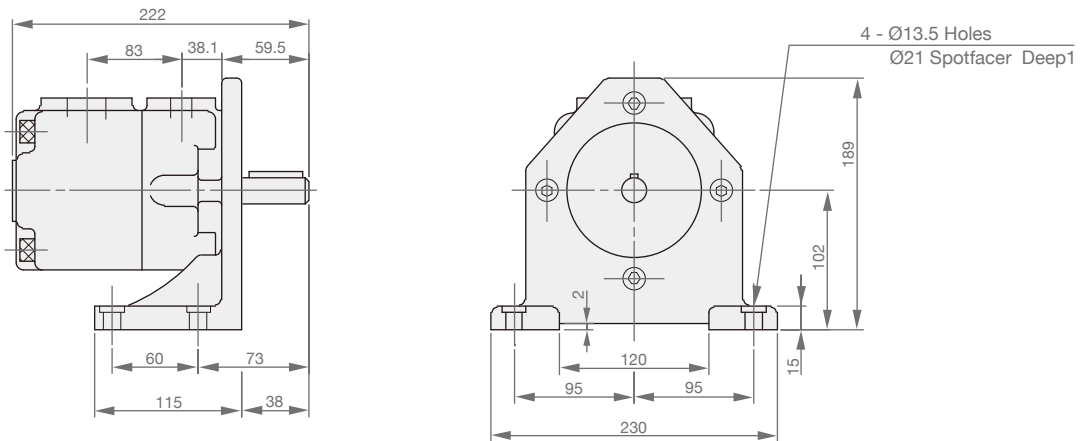


Model	A	B	C
No.01-Shaft	Ø19.05	21.24	4.76
No.02-Shaft	Ø22.23	24.5	4.76
No.03-Shaft	Ø22.23	25.01	6.35
No.04-Shaft	Spline Shaft		

► DVQ-25 (Flange Type)



► DVQ-25 (Foot Type)



Model	A	B	C
No.01-Shaft	Ø22.23	24.5	6.35
No.02-Shaft	Ø25.4	28.18	6.35
No.03-Shaft	Ø30.0	33.0	7.0
No.04-Shaft	Spline Shaft		
No.W-Shaft	Ø28.0	30.8	6.35