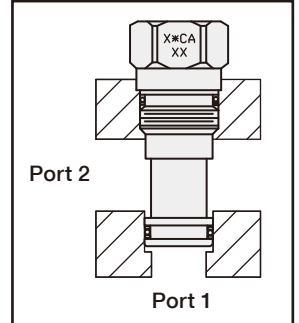
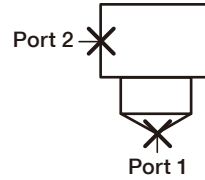


CA2

SYMBOLS

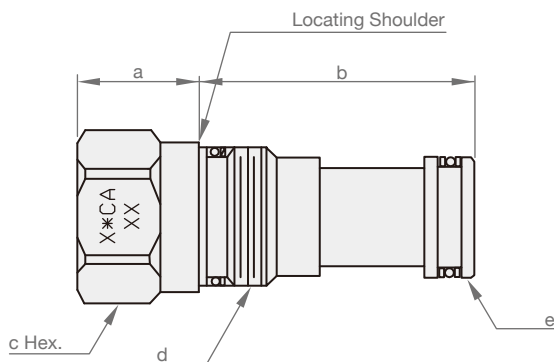


MODEL SPEC.

Model	Cavity	Thread	Material of Seal	Weight (kg)
X1CA2-T162A-XX	T162A	M16 P15	buna-N	0.07
X2CA2-T10A-XX	T10A	M20 P1.5		0.12
X2CA2-T13A-XX	T13A	M20 P1.5		0.12
X3CA2-T3A-XX	T3A	1"-14UNS-2B		0.21
X3CA2-T5A-XX	T5A	1"-14UNS-2B		0.20
X6CA2-T16A-XX	T16A	M36 P2		0.49
X8CA2-T18A-XX	T18A	M48 P2		1.10

DIMENSION

(UNIT : mm)



Model	a	b	c	d	e
X2CA2	20.2	38.2	22.2	M16 P1.5-6H	Ø17.4
X3CA2	17.8	47.7	28.6	1"-14UNS-2B	Ø22.2
X6CA2	25.7	60.8	31.7	M32 P2.0-6H	Ø31.7
X8CA2	30	79.6	41.2	M48 P2.0-6H	Ø41.2