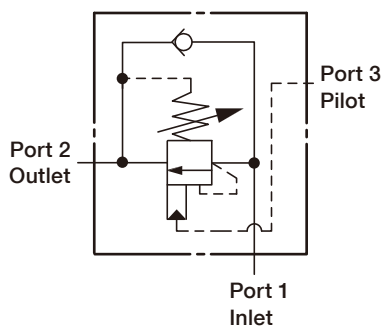


CBF



SYMBOLS



ORDER CODES

CB 2 F - T11A - L K N

1 2 3 4 5 6 7

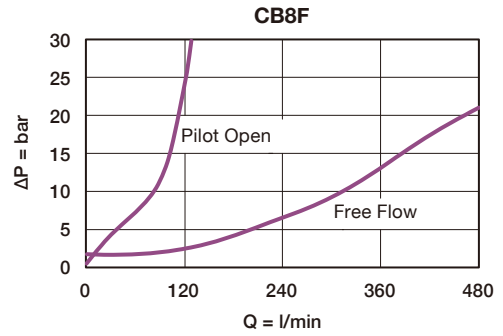
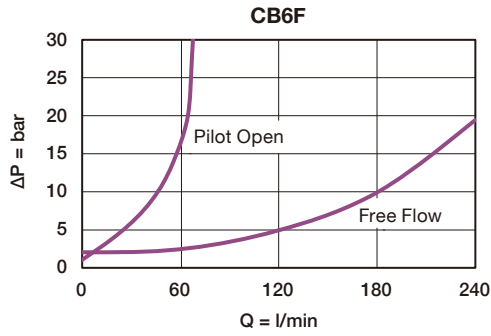
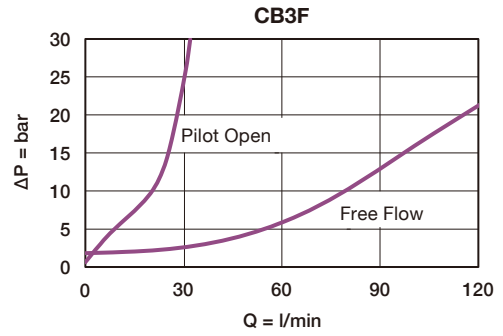
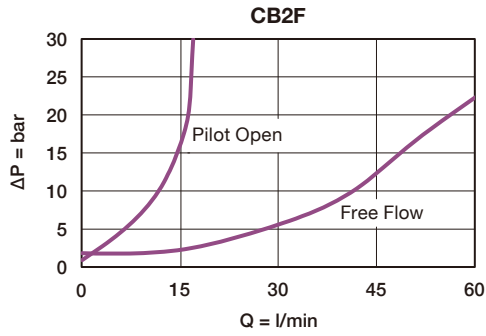
1	Model Name	CB	
2	Valve Size	2, 3, 6, 8	
3	Pilot Ratio	F	4.5:1
4	Cavity	T11A, T2A, T17A, T19A	
5	Control Manner	L	standard screw adjustment
6	Adjustable Range	J	140 ~ 350 bar, w/1.7 bar check, 210 bar initially setting
		K	70 ~ 175 bar, w/1.7 bar check, 140 bar initially setting
		C	140 ~ 350 bar, w/0.3 bar check, 210 bar initially setting
7	Material of Seal	D	70 ~ 175 bar, w/0.3 bar check, 140 bar initially setting
		N	buna-N
		V	viton

MODEL SPEC.

Model	Cavity	Capacity (l/min)	Max. Pressure (bar)	Installation Torque (Nm)	Operational Temperature	Weight (kg)
CB2F	T11A	15	350	40/50	-35 ~ 100°C (-31 ~ 212°F)	0.17
CB3F	T2A	30	350	60/70		0.30
CB6F	T17A	60	350	200/215		0.64
CB8F	T19A	80	350	465/500		1.47

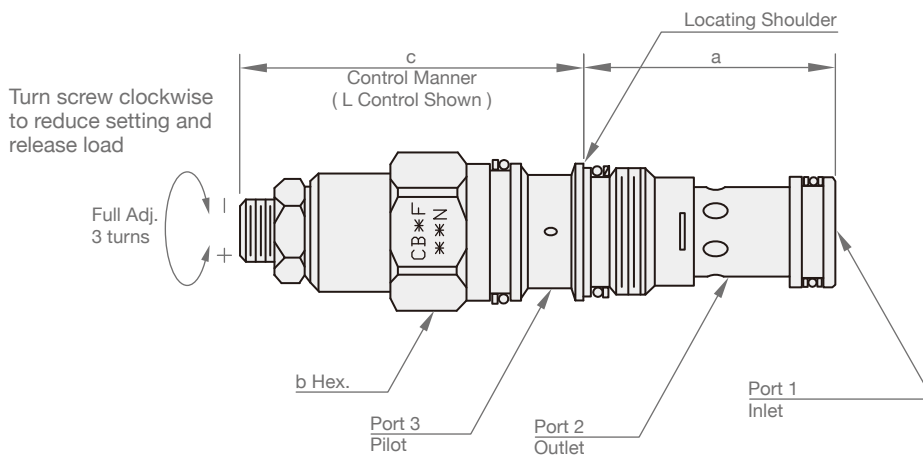
PERFORMANCE CURVES

Free Flow and Piloted Open Pressure Drop



DIMENSION

(UNIT : mm)



Model	a	b	c
			L
CB2F	34.9	22.2	50
CB3F	34.9	28.6	61
CB6F	46.0	31.8	70
CB8F	63.5	41.3	90