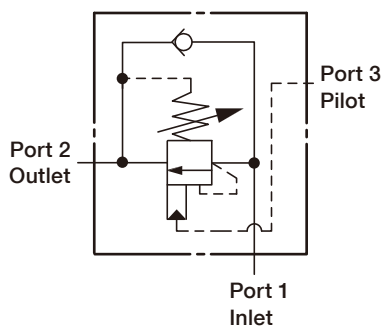


CBG



SYMBOLS



ORDER CODES

CB 2 G - T11A - L K N

1 2 3 4 5 6 7

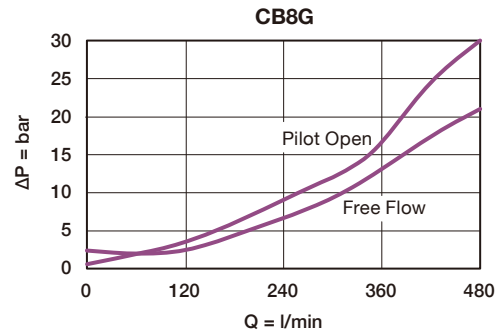
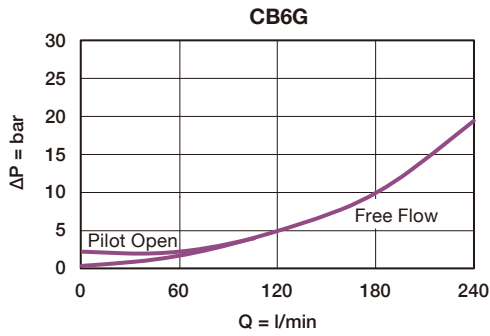
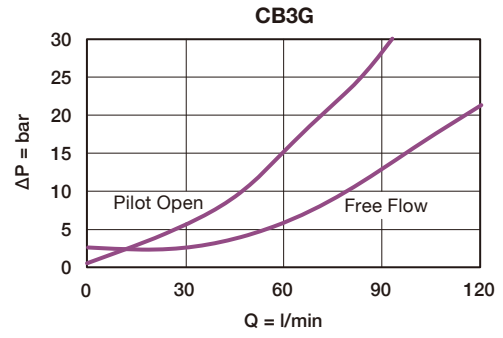
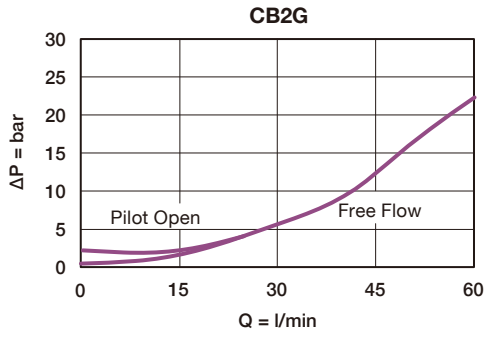
1	Model Name	CB
2	Valve Size	2, 3, 6, 8
3	Pilot Ratio	G 4.5:1
4	Cavity	T11A, T2A, T17A, T19A
5	Control Manner	L standard screw adjustment
6	Adjustable Range	J 140 ~ 350 bar, w/1.7 bar check, 210 bar initially setting
		K 70 ~ 175 bar, w/1.7 bar check, 140 bar initially setting
		C 140 ~ 350 bar, w/0.3 bar check, 210 bar initially setting
		D 70 ~ 175 bar, w/0.3 bar check, 140 bar initially setting
7	Material of Seal	N buna-N
		V viton

MODEL SPEC.

Model	Cavity	Capacity (l/min)	Max. Pressure (bar)	Installation Torque (Nm)	Operational Temperature	Weight (kg)
CB2G	T11A	60	350	40/50	-35 ~ 100°C (-31 ~ 212°F)	0.17
CB3G	T2A	120	350	60/70		0.30
CB6G	T17A	240	350	200/215		0.64
CB8G	T19A	480	350	465/500		1.47

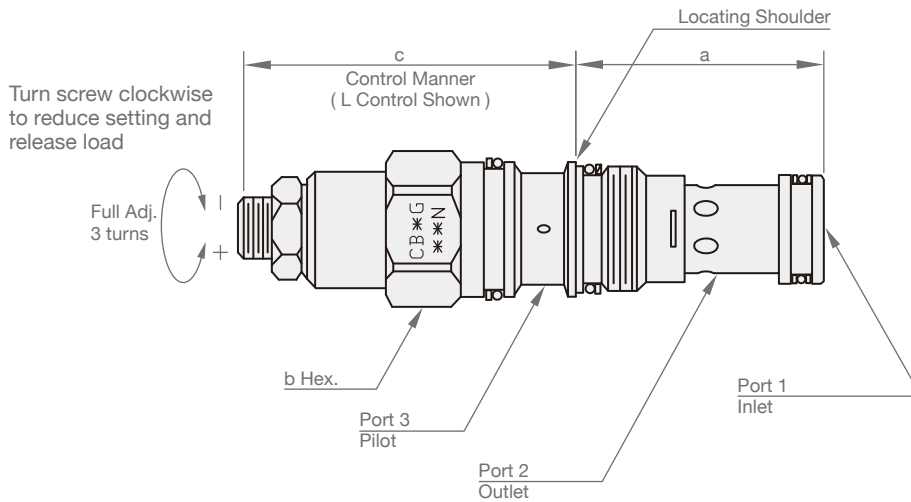
PERFORMANCE CURVES

Free Flow and Piloted Open Pressure Drop



DIMENSION

(UNIT : mm)



Model	a	b	c
			L
CB2G	34.9	22.2	50
CB3G	34.9	28.6	61
CB6G	46.0	31.8	70
CB8G	63.5	41.3	90