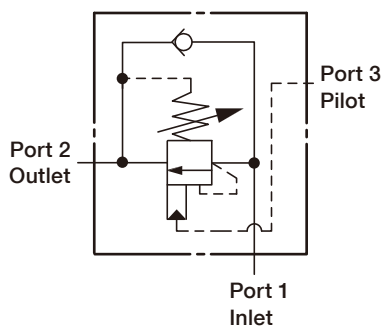


CBH



SYMBOLS



ORDER CODES

CB 2 H - T11A - L K N

1 2 3 4 5 6 7

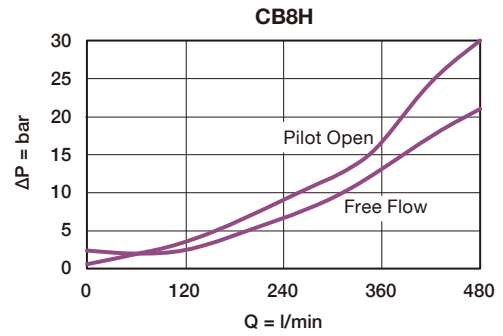
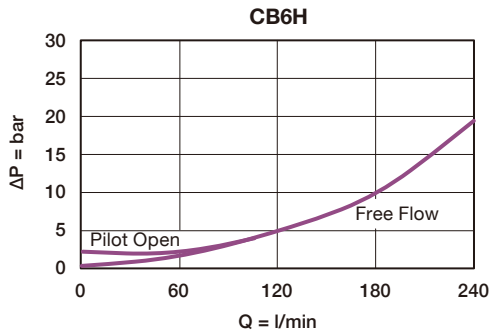
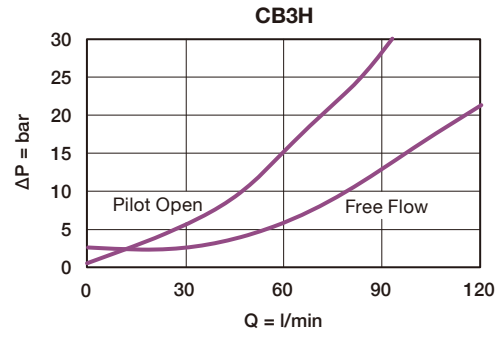
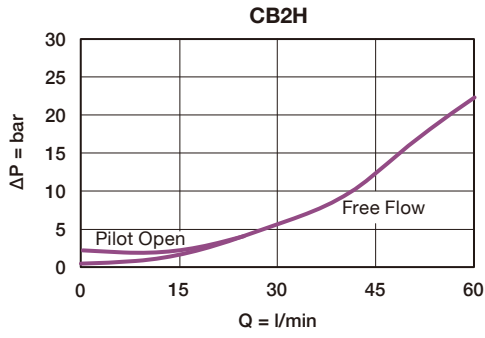
| | | | |
|---|--------------------|-----------------------|---|
| 1 | ▶ Model Name | CB | |
| 2 | ▶ Valve Size | 2, 3, 6, 8 | |
| 3 | ▶ Pilot Ratio | H | 10:1 |
| 4 | ▶ Cavity | T11A, T2A, T17A, T19A | |
| 5 | ▶ Control Manner | L | standard screw adjustment |
| 6 | ▶ Adjustable Range | J | 140 ~ 350 bar, w/1.7 bar check, 210 bar initially setting |
| | | K | 70 ~ 175 bar, w/1.7 bar check, 140 bar initially setting |
| | | C | 140 ~ 350 bar, w/0.3 bar check, 210 bar initially setting |
| 7 | ▶ Material of Seal | D | 70 ~ 175 bar, w/0.3 bar check, 140 bar initially setting |
| | | N | buna-N |
| | | V | viton |

MODEL SPEC.

| Model | Cavity | Capacity (l/min) | Max. Pressure (bar) | Installation Torque (Nm) | Operational Temperature | Weight (kg) |
|-------|--------|------------------|---------------------|--------------------------|------------------------------|-------------|
| CB2H | T11A | 60 | 350 | 40/50 | -35 ~ 100°C (-31 ~ 212°F) | 0.17 |
| CB3H | T2A | 120 | 350 | 60/70 | | 0.30 |
| CB6H | T17A | 240 | 350 | 200/215 | | 0.64 |
| CB8H | T19A | 480 | 350 | 465/500 | | 1.47 |

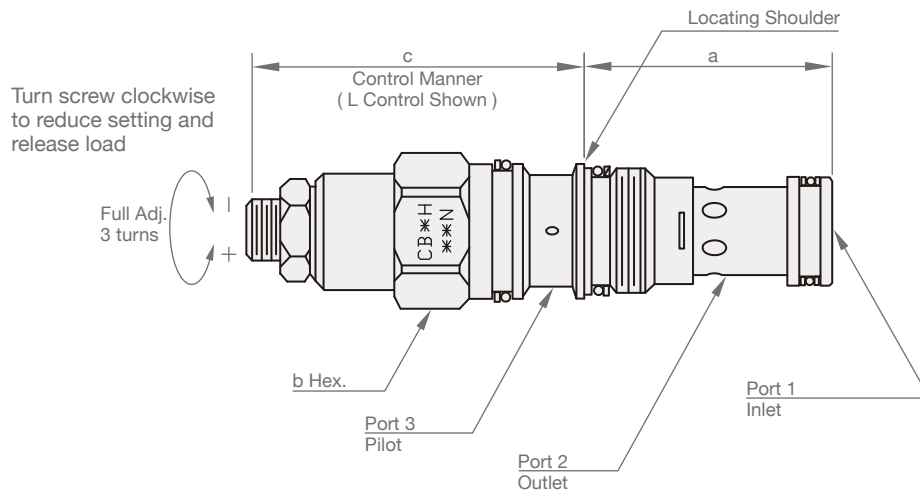
PERFORMANCE CURVES

Free Flow and Piloted Open Pressure Drop



DIMENSION

(UNIT : mm)



| Model | a | b | c |
|-------|------|------|----|
| | | | L |
| CB2H | 34.9 | 22.2 | 50 |
| CB3H | 34.9 | 28.6 | 61 |
| CB6H | 46.0 | 31.8 | 70 |
| CB8H | 63.5 | 41.3 | 90 |