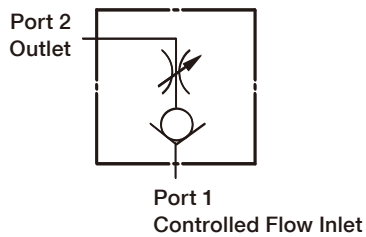


# CN



## SYMBOLS



## ORDER CODES

**CN** - **082** - **L** **A** **N**

1                      2                      3                      4                      5

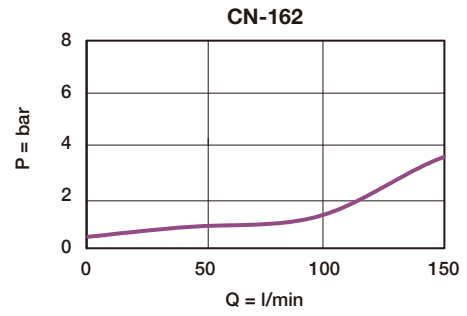
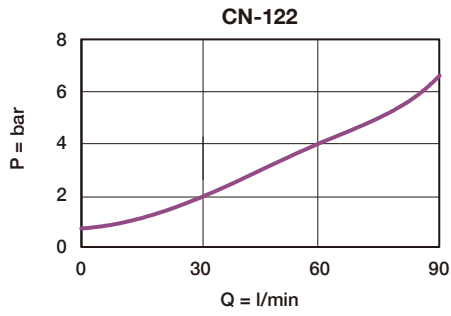
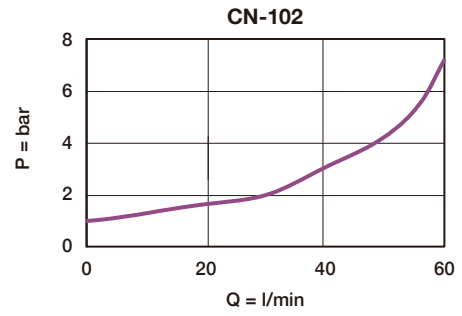
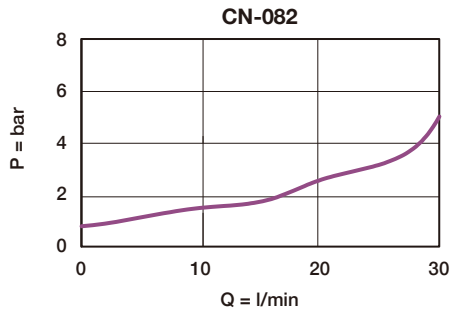
1	▶ Model Name	CN	
2	▶ Cavity & Max. Orifice	082, 102, 122, 162	
3	▶ Control Manner	L	standard screw adjustment
		K	hand knob with lock knob
4	▶ Cracking Pressure	A	0.3 bar
		C	2.0 bar
		E	5.0 bar
5	▶ Material of Seal	N	buna-N
		V	viton

## MODEL SPEC.

Model	Cavity	Capacity (l/min)	Max. Pressure (bar)	Installation Torque (Nm)	Operational Temperature	Weight (kg)
CN-082	T082	30	300	40/50	-35 ~ 100°C (-31 ~ 212°F)	0.11
CN-102	T102	50	300	40/50		0.14
CN-122	T122	80	300	40/50		0.26
CN-162	T162	150	300	40/50		0.39

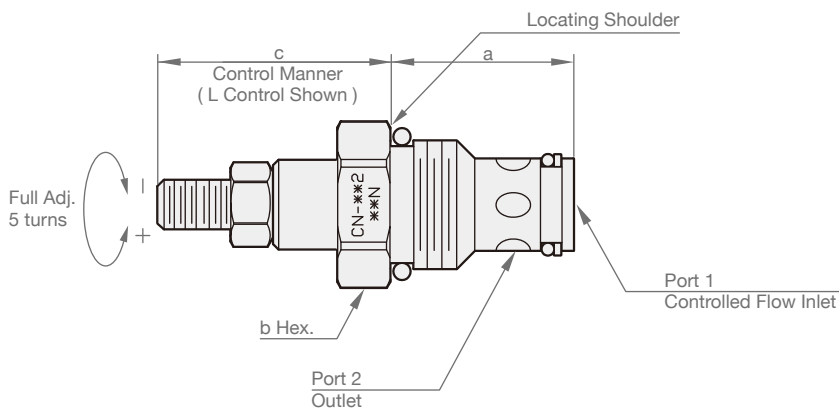
## PERFORMANCE CURVES

### ► Typical Pressure Drop



## DIMENSION

( UNIT : mm )



Model	a	b	c	
			L	K
CN-082	27.7	22.4	48	53
CN-102	31.8	25.4	51	56
CN-122	46.0	31.8	53	58
CN-162	44.5	38.1	59	64