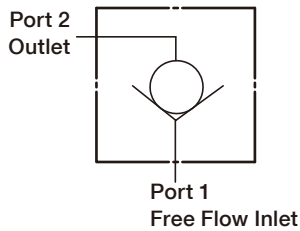


# CV



## SYMBOLS



## ORDER CODES

**CV** - **082** - **X** **A** **N**

1            2            3    4    5

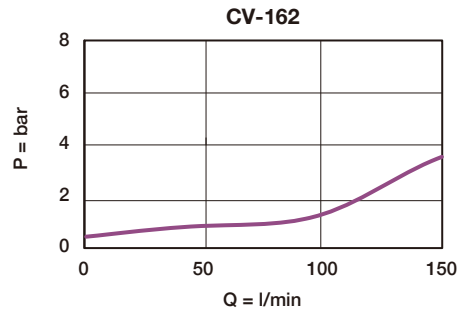
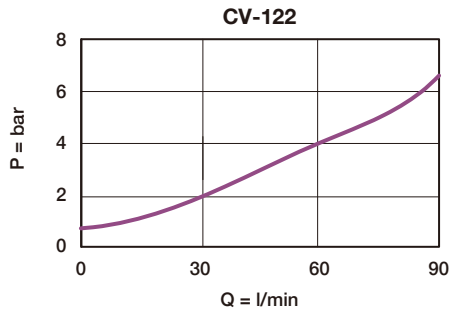
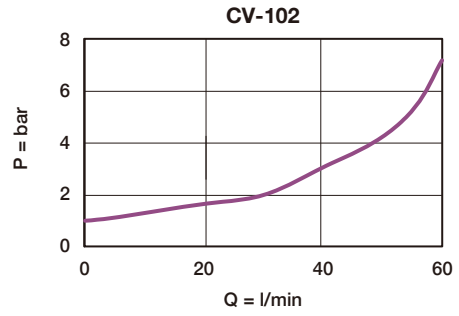
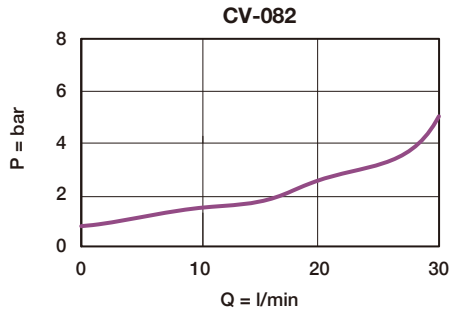
1	Model Name	CV	
2	Valve Size & Cavity	082, 102, 122, 162	
3	Control Manner	X	unadjustable
4	Cracking Pressure	A	0.3 bar
		C	2.0 bar
		E	5.0 bar
5	Material of Seal	N	buna-N
		V	viton

## MODEL SPEC.

Model	Cavity	Capacity (l/min)	Max. Pressure (bar)	Installation Torque (Nm)	Operational Temperature	Weight (kg)
CV-082	T082	30	300	40/50	-35 ~ 100°C (-31 ~ 212°F)	0.06
CV-102	T102	50	300	40/50		0.09
CV-122	T122	80	300	40/50		0.15
CV-162	T162	150	300	40/50		0.27

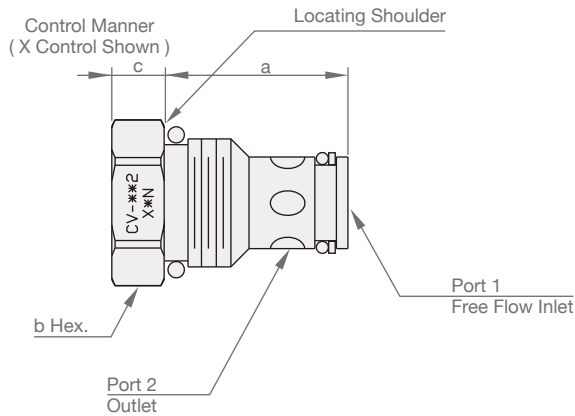
## PERFORMANCE CURVES

### ► Typical Pressure Drop



## DIMENSION

( UNIT : mm )



Model	a	b	c
			X
CV-082	27.7	22.4	7.9
CV-102	31.8	25.4	7.9
CV-122	46.0	31.8	9.5
CV-162	44.5	38.1	14.0