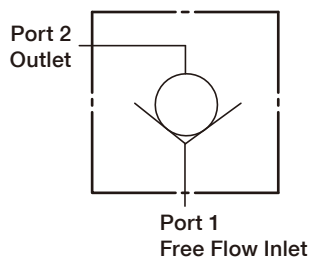


# CXA



## SYMBOLS



## ORDER CODES

**CX** **2** **A** - **T13A** - **X** **C** **N**

1 2 2 3 4 5 6

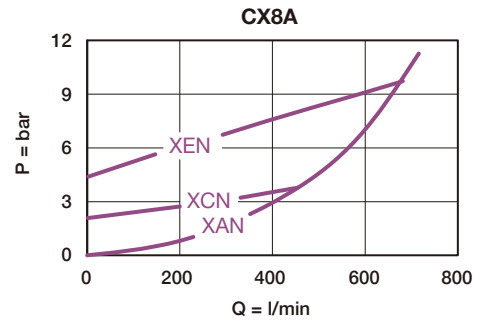
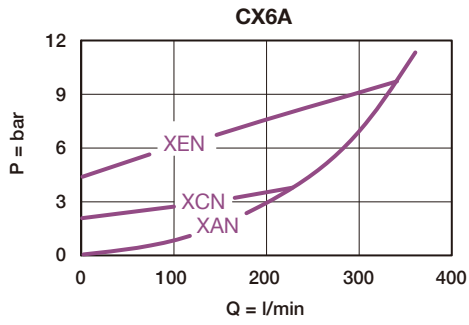
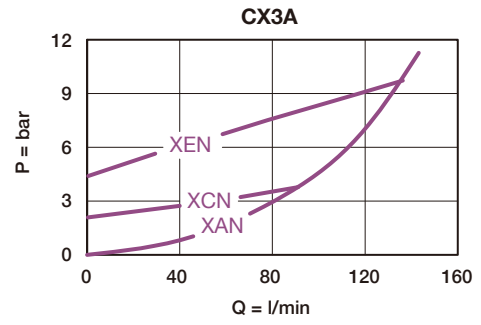
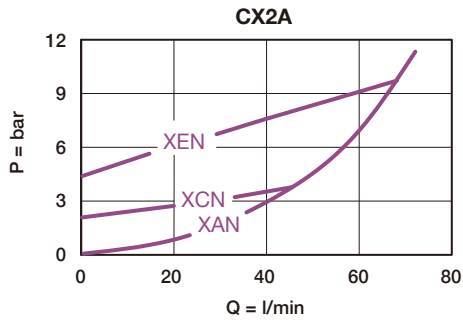
1	▶ Model Name	CX	
2	▶ Valve Size	2, 3, 6, 8	
3	▶ Operation	A	Free Flow Port1 to Port2
4	▶ Cavity	T13A, T5A, T16A, T18A	
5	▶ Control Manner	X	unadjustable
6	▶ Cracking Pressure	A	0.3 bar
		B	1.0 bar
		C	2.0 bar
		D	3.5 bar
		E	5.0 bar
7	▶ Material of Seal	N	buna-N
		V	viton

## MODEL SPEC.

Model	Cavity	Capacity (l/min)	Max. Pressure (bar)	Installation Torque (Nm)	Operational Temperature	Weight (kg)
CX2A	T13A	80	350	40/50	-35 ~ 100°C (-31 ~ 212°F)	0.12
CX3A	T5A	160	350	60/70		0.18
CX6A	T16A	320	350	200/215		0.42
CX8A	T18A	640	350	465/500		0.93

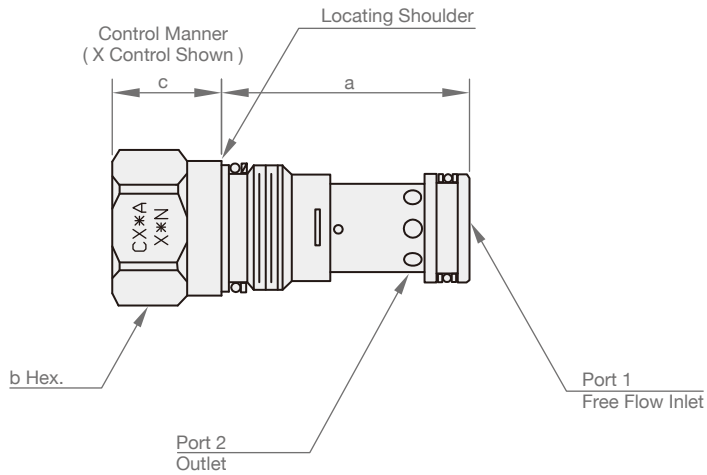
## PERFORMANCE CURVES

### ► Typical Pressure Drop



## DIMENSION

( UNIT : mm )



Model	a	b	c
			X
CX2A	34.9	22.2	19
CX3A	41.1	28.6	18
CX6A	61.9	31.8	25
CX8A	79.4	41.3	31