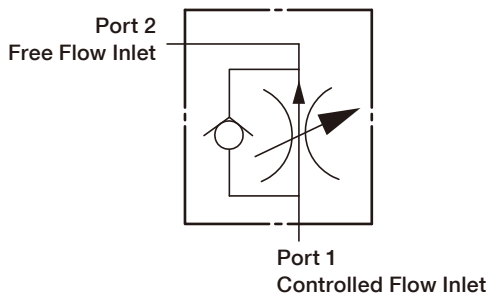


# FD



## SYMBOLS



## ORDER CODES

**FD** **2A** - **T13A** - **L** **A** **N**

1 2 3 4 5 6

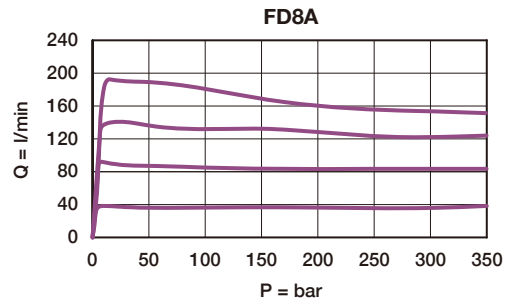
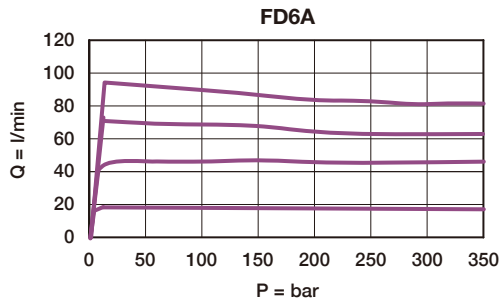
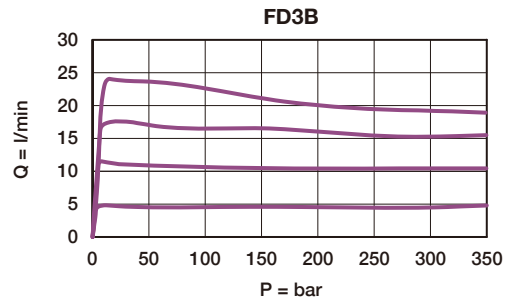
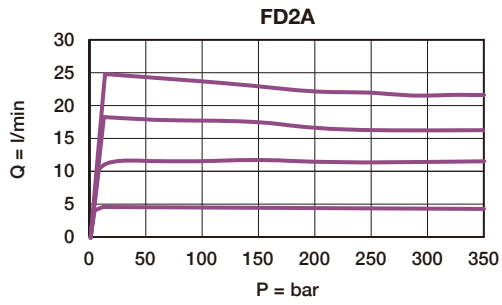
1	▶ Model Name	FD	
2	▶ Valve Size	2A, 3B, 6A, 8A	
3	▶ Cavity	T13A, T5A, T16A, T18A	
4	▶ Control Manner	L	standard screw adjustment
		K	hand knob with lock knob
5	▶ Adjustable Range	A	2A : 0.4 ~ 23 l/min 3B : 0.4 ~ 45 l/min 6A : 1.0 ~ 95 l/min 8A : 1.0 ~ 200 l/min
6	▶ Material of Seal	N	buna-N
		V	viton

## MODEL SPEC.

Model	Cavity	Capacity (l/min)	Max. Pressure (bar)	Installation Torque (Nm)	Operational Temperature	Weight (kg)
FD2A	T13A	23	350	40/50	-35 ~ 100°C (-31 ~ 212°F)	0.14
FD3B	T5A	45	350	60/70		0.28
FD6A	T16A	95	350	200/215		0.55
FD8A	T18A	200	350	465/500		1.23

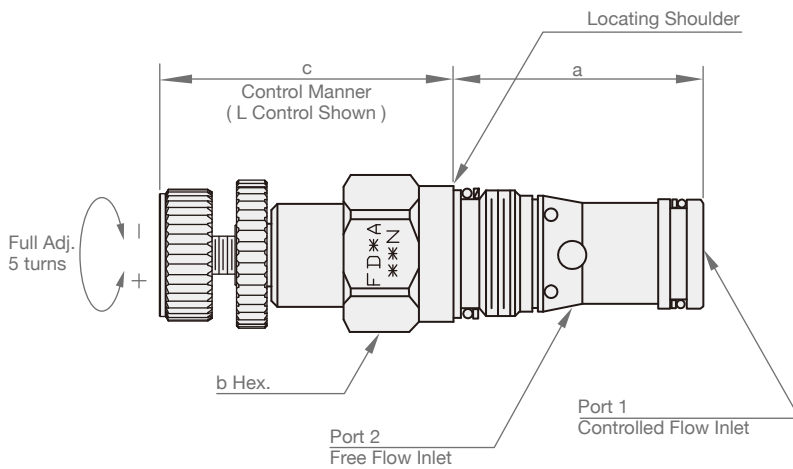
## PERFORMANCE CURVES

### ► Typical Performance



## DIMENSION

( UNIT : mm )



Model	a	b	c	
			L	K
FD2A	34.9	22.2	58	64
FD3B	41.1	28.6	67	73
FD6A	61.9	31.8	73	79
FD8A	79.4	41.3	84	90