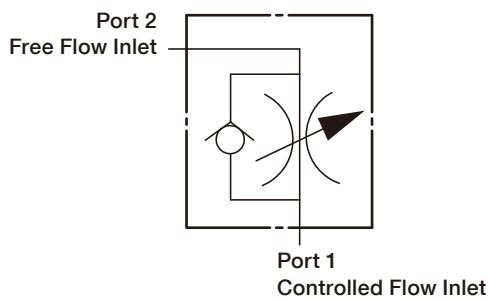


NCB



SYMBOLS



ORDER CODES

NC **2B** - **T13A** - **L** **C** **N**

1 2 3 4 5 6

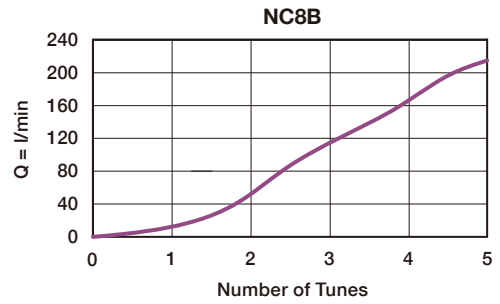
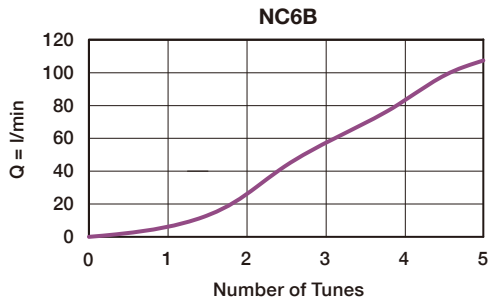
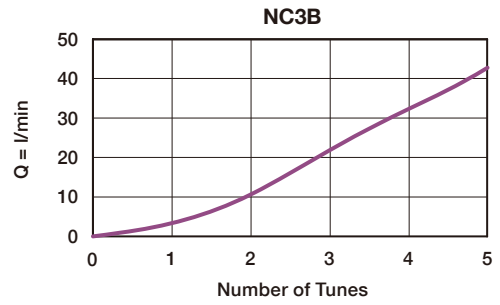
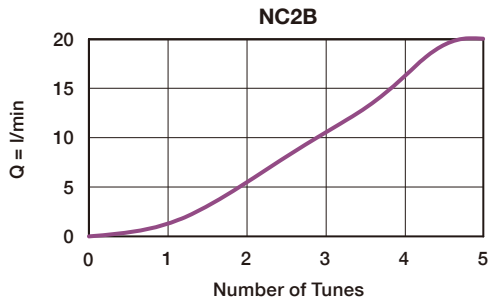
1	▶ Model Name	NC	
2	▶ Valve Size	2B, 3B, 6B, 8B	
3	▶ Cavity & Max. Orifice	T13A	4.8mm
		T5A	6.3mm
		T16A	9.6mm
		T18A	14.2mm
4	▶ Control Manner	L	standard screw adjustment
		K	hand knob with lock knob
5	▶ Cracking Pressure	A	0.3 bar
		C	2.0 bar
		E	5.0 bar
6	▶ Material of Seal	N	buna-N
		V	viton

MODEL SPEC.

Model	Cavity	Capacity (l/min)	Max. Pressure (bar)	Installation Torque (Nm)	Operational Temperature	Weight (kg)
NC2B	T13A	25	350	40/50	-35 ~ 100°C (-31 ~ 212°F)	0.14
NC3B	T5A	50	350	60/70		0.26
NC6B	T16A	100	350	200/215		0.58
NC8B	T18A	200	350	465/500		1.23

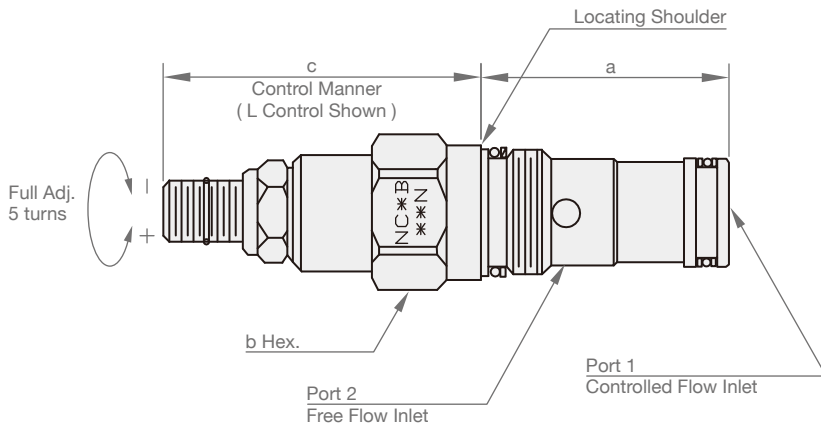
PERFORMANCE CURVES

► Adjustment Sensitivity at 7 bar Differential



DIMENSION

(UNIT : mm)



Model	a	b	c	
			L	K
NC2B	34.9	22.2	58	64
NC3B	41.1	28.6	67	73
NC6B	61.9	31.8	73	79
NC8B	79.4	41.3	84	90